

FOUR ROLLER  
FAIRLEAD

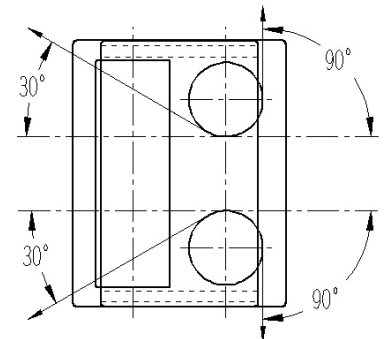
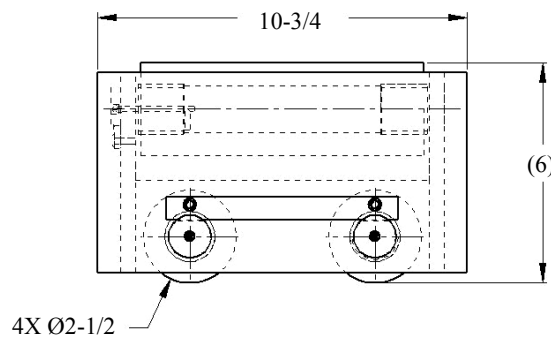
# MODEL FR4-2

## STANDARD FEATURES

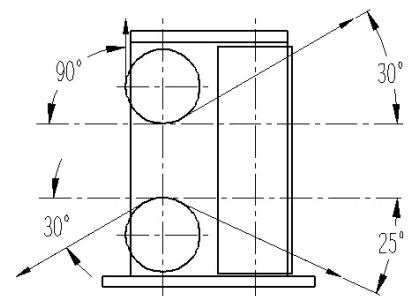
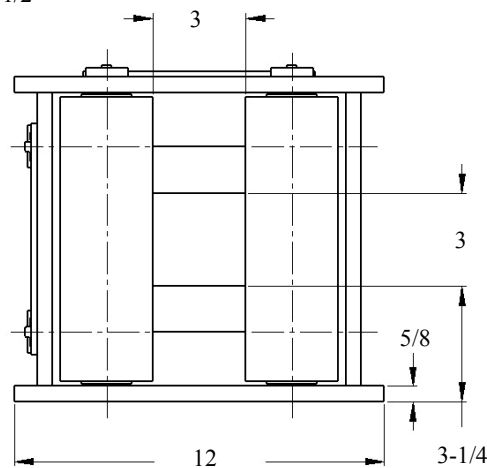
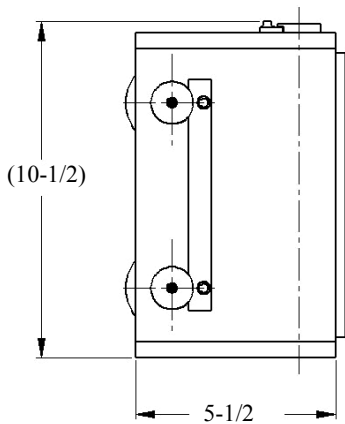
- Designed with a S.W.L. of 6MT (13,228 Lbs or 59.7 kN) per O.C.I.M.F. Rev.3 Guidelines.
- Hardened Rollers for Longer Life
- Grease Lubricated Bronze Bearings
- Epoxy Primer Coating

## OPTIONAL FEATURES

- Customized Design to Suit Your Application
- Seawater Lubricated Bearings for Underwater Use
- Bolt Down Mounting Base
- Stainless Steel Rollers
- Load Monitoring System
- Three Coat Marine Paint System
- Third Party Certification



PLAN LOADING LIMITS



ELEVATION LOADING LIMITS

\* DIMENSIONS SUBJECT TO CHANGE WITHOUT NOTICE\*

WEIGHT: 90 LBS

## Rasmussen Equipment Company

415 S. Cloverdale St. Seattle, WA 98108  
Tel: 206-762-3700

2220 Engineers Rd Belle Chasse, LA 70037  
Tel: 504-392-0442

E-mail: [info@RasmussenCo.com](mailto:info@RasmussenCo.com) Web: [www.RasmussenCo.com](http://www.RasmussenCo.com) Toll Free: 800-227-7920